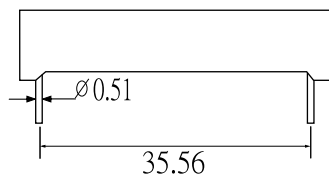
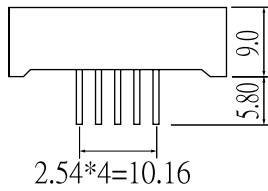
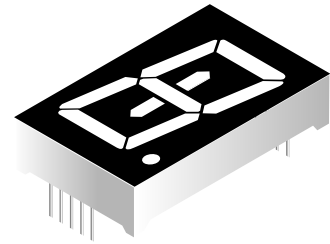
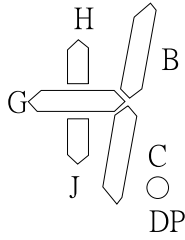
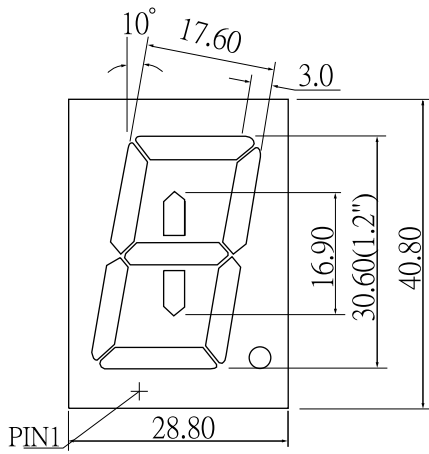
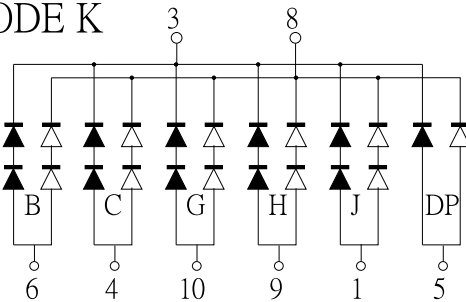


LB11202



CODE K



2 & 7 NO PIN

△ = GREEN

▲ = ORANGE

CODE H

