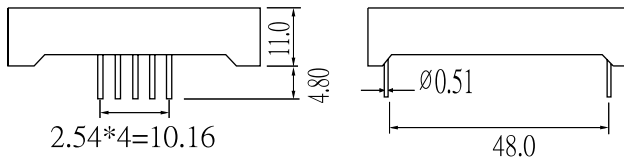
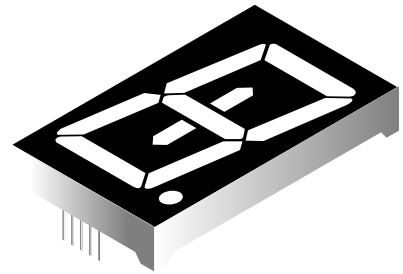
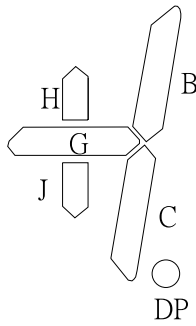
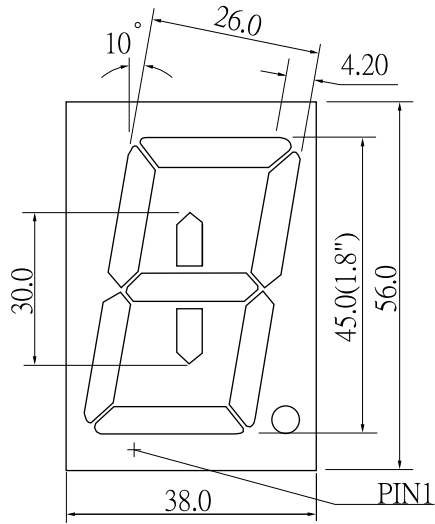
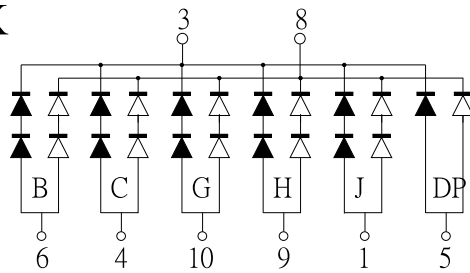


## LB11803



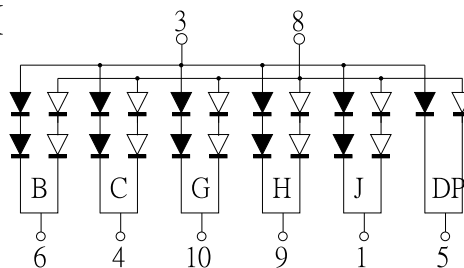
### CODE K



2 & 7 NO PIN

▷ = GREEN  
◀ = ORANGE

### CODE H



2 & 7 NO PIN

▷ = GREEN  
◀ = ORANGE