

BEELED

BEELED -

Product Name: 1w 750nm IR LED

Version No.: BLD-HP001IR750-E42

Product Description:

- 1 watt High Power LED
- Colloid Color: Transparent
- Emission Color: Red
- Viewing Angle: 120°

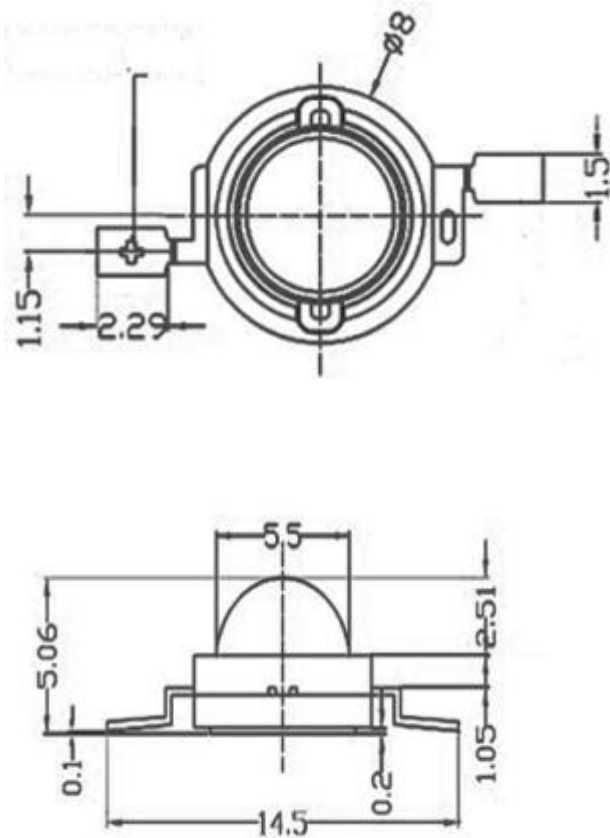
Dice Material: GaInN



BEELED

BEELED -

Outline Drawing



Notes :

1. All dimensions are in mm tolerance is ± 0.25 mm unless otherwise noted.
2. An epoxy meniscus may extend about 1.2mm down the leads.
3. Burr around bottom of epoxy may be 0.5mm max.

BEELED

BEELED -

Absolute Maximum Ratings (Ta = 25°C)

Items	Symbol	Maximum	Units
DC Forward Current	I_F	350	mA
Peak forward current	I_{FP}	500	mA
Reverse Voltage	V_R	5	V
Power consumption	P_D	1	W
Operation Temperature	T_{opr}	-20~+75	°C
Storage Temperature	T_{stg}	-30~+80	°C
Lead Soldering Temperature	T_{sol}	Max 260°C for 5 sec Max. (3mm from the base of the body)	

* Pulse width ≤ 0.1 msec duty $\leq 1/10$

Product Optical Properties (Ta = 25°C)

Item	Symbol	Conditions	Min	Averag	Max	Units
Forward Voltage	V_F	$I_F=350$ mA	1.5	e ----	1.8	V
	V_F	$I_F=400$ mA	1.5	----	1.8	V
Reverse current	I_R	$V_R=5$ V	---	-----	10	μ A
Peak Wavelength	λ_p	$I_F=350$ mA	750	-----	755	nm
Chromaticity Coordinates	X	$I_F=350$ mA	-----	-----	---	----
	Y	$I_F=350$ mA	-----	-----	----	----
Luminous Flux	I_v	$I_F=350$ mA	1	----	2	lm
50% power Angle	$2\theta^{1/2}$ H-H	$I_F=350$ mA	---	60	---	deg
	$2\theta^{1/2}$ V-V	$I_F=350$ mA	----	---	---	deg



BEELED -

Absolute Maximum Ratings

Parameter	Symbol	Rating	Unit
		Infrared	
DC Forward Current(mA)	If	350	mA
Peak Pulse Current(mA)	If	500	mA
Reverse Voltage	VR	5	V
LED Junction Temperature	Tj	125	°C
Operation Temperature	Topr	-20--65	°C
Storage Temperature	Tstg	-20--70	°C
Soldening Temperature	Tsol	260	°C
ESD Sensitivity	Vb	4000	V