

BEELED

BEELED -

Product Name: 1w 770nm IR LED

Version No.: BLD-HP001IR770-E42

Product Description:

- 1 watt High Power LED
- Colloid Color: Transparent
- Emission Color: Red
- Viewing Angle: 120°

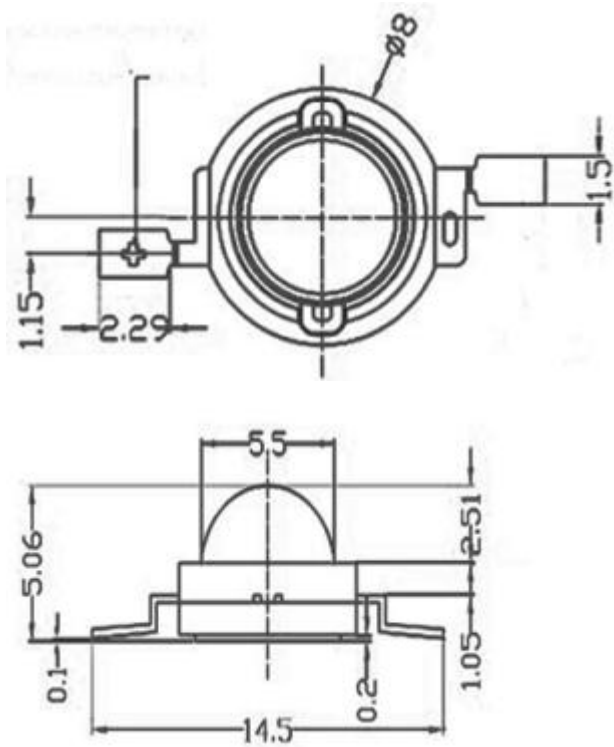
Dice Material: GaInN



BEELED

BEELED -

Outline Drawing



Notes:

1. All dimensions are in mm tolerance is ± 0.25 mm unless otherwise noted.
2. An epoxy meniscus may extend about 1.2mm down the leads.
3. Burr around bottom of epoxy may be 0.5mm max.

BEELED

BEELED -

Absolute Maximum Ratings (Ta = 25°C)

Items	Symbol	Maximum	Units
DC Forward Current	I _F	350	mA
Peak forward current	I _{FP}	500	mA
Reverse Voltage	V _R	5	V
Power consumption	P _D	1	W
Operation Temperature	T _{opr}	-20~+75	°C
Storage Temperature	T _{stg}	-30~+80	°C
Lead Soldering Temperature	T _{sol}	Max 260°C for 5 sec Max. (3mm from the base of the body)	

* Pulse width ≤ 0.1msec duty ≤ 1/10

Product Optical Properties (Ta = 25°C)

Item	Symbol	Conditions	Min	Averag	Max	Units
Forward Voltage	V _F	I _F = 350mA	1.5	^e ----	1.8	V
	V _F	I _F = 400mA	1.5	----	1.8	V
Reverse current	I _R	V _R = 5V	---	----	10	μA
Peak Wavelength	λ _p	I _F = 350mA	770	----	775	nm
Chromaticity Coordinates	X	I _F = 350mA	----	----	---	----
	Y	I _F = 350mA	----	-----	----	----
Luminous Flux	I _v	I _F = 350mA	1	----	2	lm
50% power Angle	2 θ ^{1/2} H-H	I _F = 350mA	---	60	---	deg
	2 θ ^{1/2} V-V	I _F = 350mA	----	---	---	deg

BEELED

BEELED -

Absolute Maximum Ratings

Parameter	Symbol	Rating	Unit
		Infrared	
DC Forward Current(mA)	If	350	mA
Peak Pulse Current(mA)	If	500	mA
Reverse Voltage	VR	5	V
LED Junction Temperature	Tj	125	°C
Operation Temperature	Topr	-20--65	°C
Storage Temperature	Tstg	-20--70	°C
Soldening Temperature	Tsol	260	°C
ESD Sensitivity	Vb	4000	V