

# BEELED

BEELED -

---

Product name: BLD-HP050IR920-E42

Version No.: 01

## Product Description:

- 50 Watts high power LED
- Colloid Color: Water clear
- Emission Color: Red
- Viewing Angle: 140°

Dice Material: InGaAlN

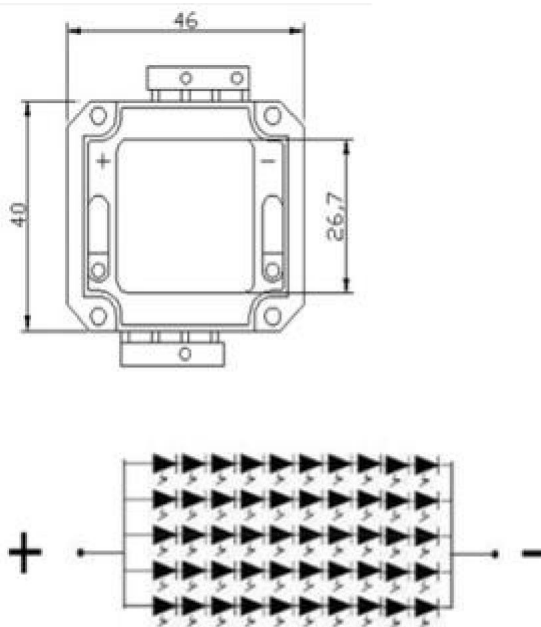


# BEELED

BEELED -

---

## Outline Drawing



### Notes:

1. All dimensions area in mm tolerance is  $\pm 0.25\text{mm}$  unless otherwise noted.
2. An epoxy meniscus may extend about 1.2mm down the leads.
3. Burr around bottom of epoxy may be 0.5mm max.

# BEELED

## BEELED -

### Absolute Maximum Ratings (Ta = 25°C)

Items	Symbol	Maximum	Units
DC Forward Current	$I_F$	1500	mA
Peak pulse current	$I_{Pulse}$	1800	mA
Reverse Voltage	$V_R$	50	V
Power consumption	$P_D$	50	W
Operation Temperature	$T^{opr}$	-20~+75	°C
Storage Temperature	$T^{stg}$	-30~+80	°C
Lead Soldering Temperature	$T_{sol}$ (3mm from the base of the body)	Max 260°C for 5 sec Max.	

\* Pulse width  $\leq 0.1$ msec    duty  $\leq 1/10$

### Product Optical Properties (Ta = 25°C)

Item	Symbol	Conditions	Min	Average	Max	Units
Forward Voltage	$V_F$	$I_F = 1500$ mA	16	17	18	V
Reverse current	$I_R$	$V_R = 50$ V	---	100	---	$\mu$ A
Color Temperature	CCT	$I_F = 1500$ mA	----	----	---	K
Peak Wavelength	$\lambda_p$	$I_F = 1500$ mA	940	----	945	nm
Luminous Intensity	$I_V$	$I_F = 1500$ mA	0.5	---	5	lm
50% power Angle	$20^{1/2}$ <sub>H-H</sub>	$I_F = 1500$ mA	---	145	---	deg
	$20^{1/2}$ <sub>V-V</sub>	$I_F = 1500$ mA		---	---	deg