

# BEELED

BEELED -

---

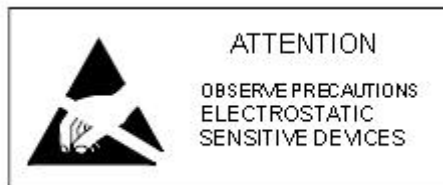
Product name: BLD-SMD3535UV-J310

Version No.: 01

## Product Description:

- 3 watt High Power LED
- Colloid Color: Transparent
- Emission Color: Purple
- Viewing Angle: 60°
- Chip: 45mil PW
- Radiant Power: 45mW

Dice Material: GaInN

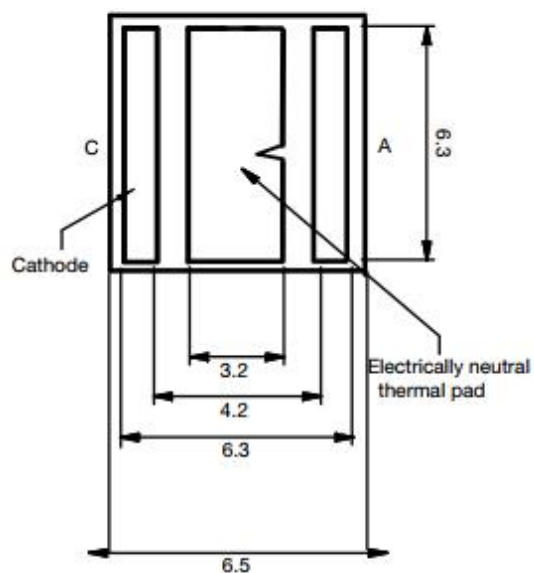
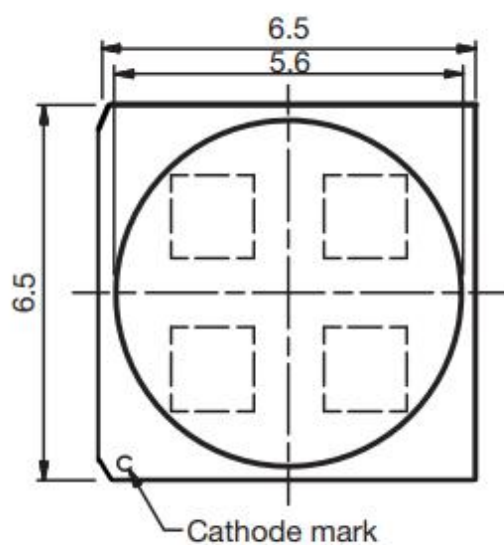


# BEELED

BEELED -

---

## Outline Drawing



## Notes:

1. All dimensions are in mm tolerance is  $\pm 0.25$  mm unless otherwise noted.
2. An epoxy meniscus may extend about 1.2 mm down the leads.
3. Burr around bottom of epoxy may be 0.5 mm max.

# BEELED

## BEELED -

### Absolute Maximum Ratings (Ta = 25°C)

Items	Symbol	Maximum	Units
DC Forward Current	$I_F$	600	mA
Peak forward current	$I_{FP}$	700	mA
Reverse Voltage	$V_R$	5	V
Power consumption	$P_D$	3.0	W
Operation Temperature	$T_{opr}$	-20~+75	°C
Storage Temperature	$T_{stg}$	-30~+80	°C
Lead Soldering Temperature	$T_{sol}$	Max 260°C for 5 sec Max. (3mm from the base of the body )	

\* Pulse width ≤ 0.1msec duty ≤ 1/10

### Product Optical Properties (Ta = 25°C)

Item	Symbol	Conditions	Min	Averag	Max	Units
Forward Voltage	$V_F$	$I_F=600\text{mA}$	5.7	$\overset{e}{\text{----}}$	5.8	V
	$V_F$	$I_F=700\text{mA}$	5.7	----	5.8	V
Reverse current	$I_R$	$V_R=5\text{V}$	---	-----	10	μA
Peak Wavelength	$\lambda_p$	$I_F=600\text{mA}$	305	310	315	nm
Chromaticity Coordinates	X	$I_F=600\text{mA}$	-----	-----	---	----
	Y	$I_F=600\text{mA}$	-----	-----	----	----
Luminous Flux	$I_V$	$I_F=600\text{mA}$	5	----	7	lm
50% power Angle	$2\theta^{1/2}\text{H-H}$	$I_F=600\text{mA}$	---	60	---	deg
	$2\theta^{1/2}\text{V-V}$	$I_F=600\text{mA}$	----	---	---	deg

# BEELED

## BEELED -

---

### Absolute Maximum Ratings

Parameter	Symbol	Rating	Unit
		Purple	
DC Forward Current(mA)	If	600	mA
Peak Pulse Current(mA)	If	700	mA
Reverse Voltage	VR	5	V
LED Junction Temperature	Tj	125	°C
Operation Temperature	Topr	-20--65	°C
Storage Temperature	Tstg	-20--70	°C
Soldening Temperature	Tsol	260	°C
ESD Sensitivity	Vb	4000	V