

BEELED

BEELED -

Product name: P120CW243

Version No.: 01

Product Description:

- 120 Watts high power LED
- Colloid Color: Yellow
- Emission Color: white
- Viewing Angle: 140°
- Chip: 45mil Bridgelux;
- Chips array: 10 series 12 parallels ;

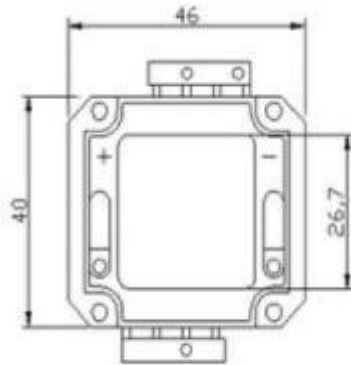
Dice Material: InGaAlN



BEELED

BEELED -

Outline Drawing



Notes:

1. All dimensions area in mm tolerance is $\pm 0.25\text{mm}$ unless otherwise noted.
2. An epoxy meniscus may extend about 1.2mm down the leads.
3. Burr around bottom of epoxy may be 0.5mm max.

Product Application:

1	Indicators
2	Illuminations
3	Automobile' s Applications

Absolute Maximum Ratings (Ta = 25°C)

Items	Symbol	Maximum	Units
DC Forward Current	I_F	3500	mA
Peak pulse current	I_{Pulse}	4000	mA
Reverse Voltage	V_R	50	V
Power consumption	P_D	120	W
Operation Temperature	T^{opr}	-20~+75	°C
Storage Temperature	T^{stg}	-30~+80	°C
Lead Soldering Temperature	T_{sol} (3mm from the base of the body)	Max 260°C for 5 sec Max.	

* Pulse width ≤ 0.1 msec duty $\leq 1/10$

Product Optical Properties (Ta = 25°C)

Item	Symbol	Conditions	Min	Average	Max	Units
Forward Voltage	V_F	$I_F = 3500$ mA	30	33	34	V
Reverse current	I_R	$V_R = 50$ V	---	120	---	μ A
Color Temperature	CCT	$I_F = 3500$ mA	4000	---	4500	K
Peak Wavelength	λ_p	$I_F = 3500$ mA	----	---	----	nm
Luminous Intensity	I_v	$I_F = 3500$ mA	10000	---	12000	lm
50% power Angle	$2\theta^{1/2}_{H-H}$	$I_F = 3500$ mA	---	145	---	deg
	$2\theta^{1/2}_{V-V}$	$I_F = 3500$ mA	---	---	---	deg

BEELED

BEELED -

Absolute Maximum Ratings

Parameter	Symbol	Rating	Unit
		White	
DC Forward Current(mA)	If	3500	mA
Peak Pulse Current(mA)	If	4000	mA
Reverse Voltage	VR	50	V
LED Junction Temperature	Tj	125	°C
Operation Temperature	Topr	-40--100	°C
Storage Temperature	Tstg	-40--100	°C
Soldening Temperature	Tsol	260	°C
ESD Sensitivity	Vb	4000	V